

## Portable Pall Filtration Unit Ultipleat® SRT PFU Series

### One Portable Filtration Unit; Endless Applications

The Pall Filtration Unit (PFU) is a cost effective pump, motor and filter set, designed for off-line control of contamination in hydraulic and lubrication fluids. This compact, simple to operate unit uses Ultipleat® SRT high performance ( $B_{x(c)} > 1000$ ) filtration to provide enhanced fluid system reliability, increased operational efficiency and extended fluid service life at almost any location within your site.

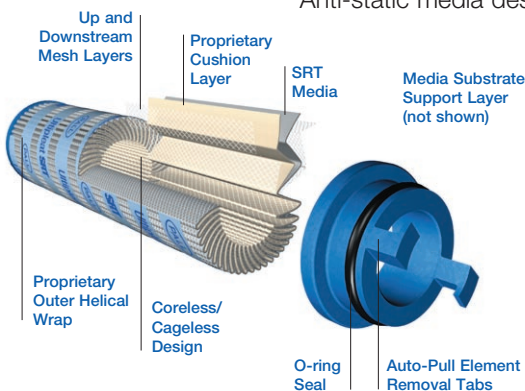
- Quick and simple to install and operate
- Compact, lightweight and quiet
- Long filter element service life

### Features

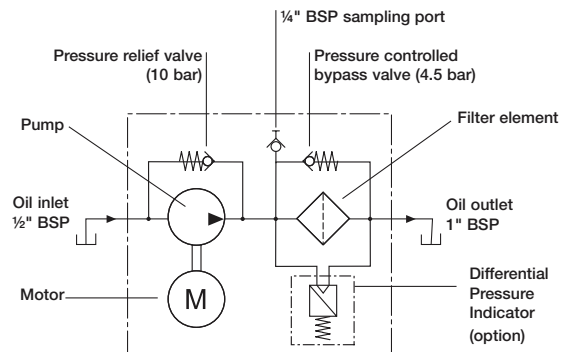
- Flows up to 10 L/min (2.6 USgpm)
- Pressures up to 10 bar (150 psi)
- Inlet connection : ½" BSP ISO 228 female
- Outlet connection : 1" BSP ISO 228 female
- Fluid Sampling port

### Notes and Specifications - Filtration Unit

Power Consumption:	0.25 kW
Supply Power:	Single phase, 230 VAC, 50 Hz or 24 VDC
Control Box:	On/Off switch and 1.5m (5') cable
Approximate Dry Weight:	15 kg (33.1 lbs) max
Fluid Compatibility:	Nitrile seals. Compatible with petroleum based fluids, synthetics and mineral oils
Fluid Viscosity Range:	10 - 320 cSt
Fluid Temperature Range:	-10 °C to 70 °C (14 °F to 160 °F)
Maximum Pressure at Outlet:	10 bar (150 psi)
Maximum Negative Pressure at Inlet:	0.1 bar (1.5 psi)
Materials of Construction:	Painted steel, Aluminium
Filter Element Burst Pressure:	10 bar (150 psid)
Ultipleat SRT Element Construction:	Inorganic fibers impregnated and bonded with epoxy resins. Polymer endcaps. Anti-static media design.



Pall Filtration Unit



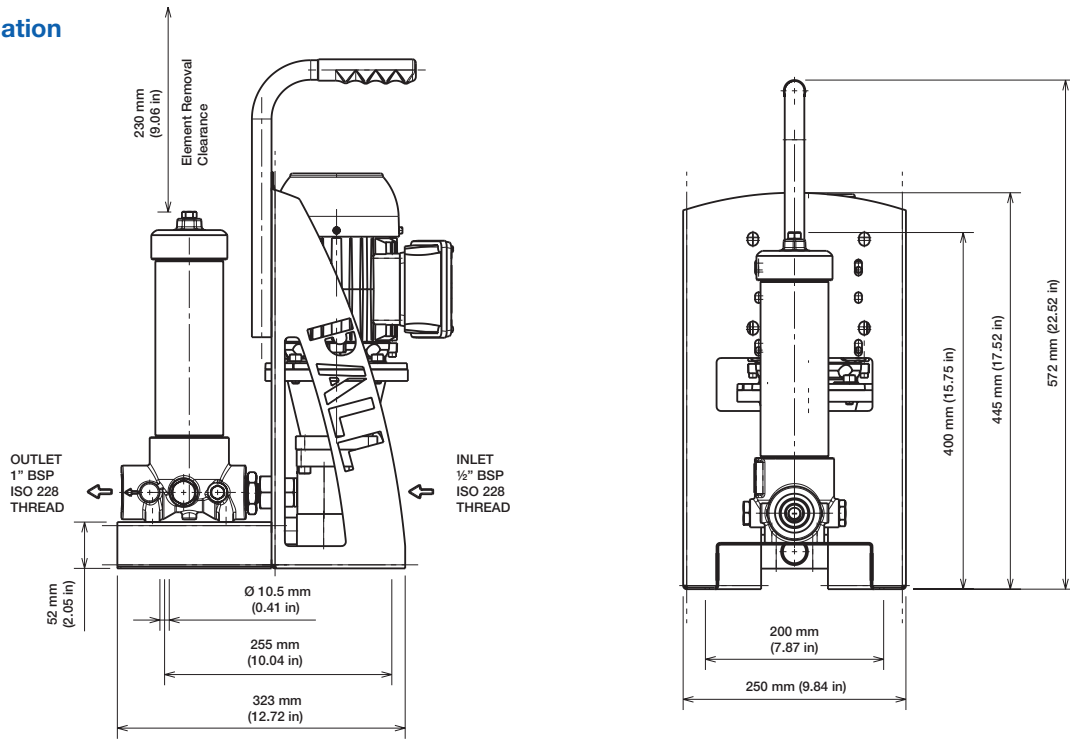
### Element Pressure Drop information

Multiply actual flow rate times factor in table below to determine pressure drop with fluid at 32 cSt (150 SUS), 0.9 S.G. Correct for other fluids by multiplying new viscosity in cSt/32 (SUS/150) x new S.G./0.9. Note: factors are per 1000 L/min and per 1 US gpm.

### 219 Series Filter Elements – bar/1000 L/min (psid/US gpm)

Length Code	AZ	AP	AN	AS	AT
08	9.93 (0.545)	4.21 (0.231)	2.83 (0.155)	1.76 (0.096)	1.33 (0.073)

## Technical Information



## Ordering Information

For new installations, create one complete part number from the options below.

Filtration Unit P/N: **FAPFU12P** 08 Table 1

The PFU is supplied without filter element or filter change out (differential pressure) indicator fitted. Never operate the unit unless a filter element is fitted and indicator port sealed.

Utiplateat SRT Filter Element P/N: **UE 219** 08 **Z** Table 2

Visual Indicator\* P/N: **RCA219DZ091Z**

\* Other indicator options are available; contact Pall.

### Pressure Equipment Directive:

This equipment has been assessed in accordance with the guidelines laid down in the equipment directive 97/23/EC and has been classified with SEP. We hereby declare under the provisions of this directive the assembly is suitable for use with Group 2 fluids only.

Table 1: Motor Options

Code	Description
B2	24 VDC
N5	Single Phase 230VAC/50 Hz

Table 2: Filter Element Options

Code	$\beta_{x(c)} \geq 1000$ Based on ISO 16889	CST Rating*
AZ	3	08/04/01
AP	5	12/07/02
AN	7	15/11/04
AS	12	16/13/04
AT	22	17/15/08

\* CST: Cyclic Stabilization Test to determine filter rating under stress conditions, based on SAE ARP4205



### Pall Machinery and Equipment

25 Harbor Park Drive  
Port Washington, NY 11050  
+1 516 484 3600 telephone  
+1 888 333 7255 toll free US

Portsmouth - UK  
+44 (0)23 9233 8000 telephone  
+44 (0)23 9233 8811 fax

*Filtration. Separation. Solution.<sup>SM</sup>*



### Visit us on the Web at [www.pall.com](http://www.pall.com)

Pall Corporation has offices and plants throughout the world. For Pall representatives in your area, please go to [www.pall.com/contact](http://www.pall.com/contact)

Because of technological developments related to the products, systems, and/or services described herein, the data and procedures are subject to change without notice. Please consult your Pall representative or visit [www.pall.com](http://www.pall.com) to verify that this information remains valid.

© Copyright 2015, Pall Corporation. Pall, , and Utiplateat are trademarks of Pall Corporation. ® Indicates a trademark registered in the USA. Better Lives. Better Planet and *Filtration. Separation. Solution.<sup>SM</sup>* are service marks of Pall Corporation.